

ISCO Single Products

#anamorphic
#spherical
#fullframe



A Schneider-Kreuznach Brand.

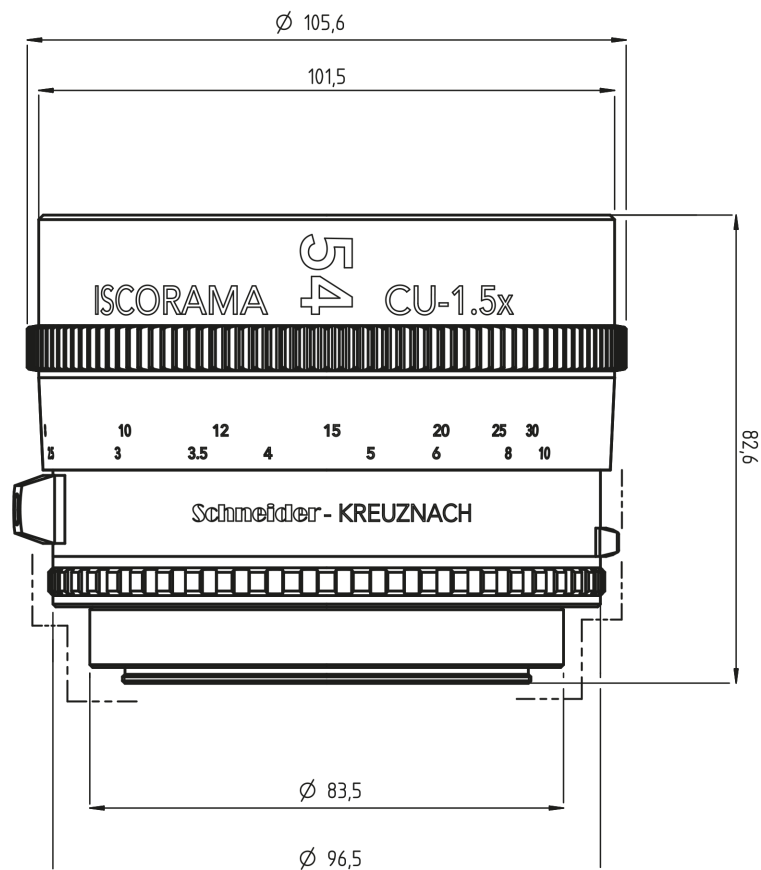
Mix + Match:
Create your own
ISCO Set.

Technical Specs

Factor	Technical Specification
Squeeze Factor	1.5 x
Minimum Focus Distance	1.4 m
Coating	Schneider Multi Coating (MC)
Focus	Single focus system (ISCO patent), 308° focus throw
Rear Thread	M77, Adapter M77 to M72 (2x)
Front Filter Thread	M95
Support	1/4"-20 UNC support bracket
Dimensions	Width: 105.6 mm, Length: 82.6 mm
Weight	1.100 g

Key Features

- Single focus (ISCO patent)
- Close focus 1.4 m
- Stepless horizon adjustment
- Standard 0.8 mm gear on focus ring
- 1/4"-20 UNC bracket for rod support



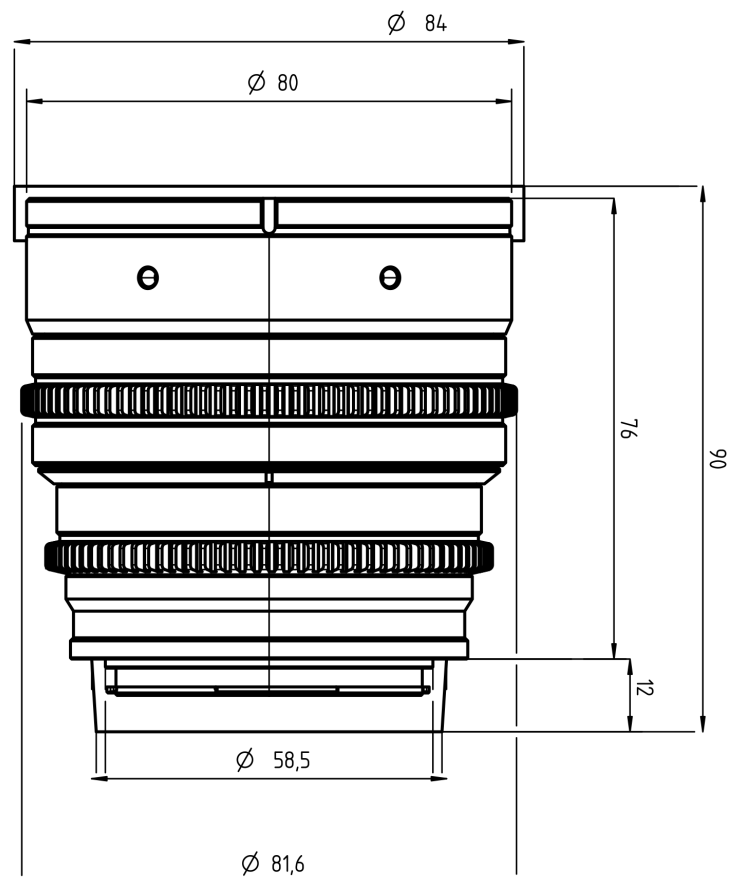
Technical Specs

focal length	T Stop	image circle	min.focus distance	no. iris blades	coating	filter thread	weight	length	width
43 mm	2.4	46.5 mm	0.58 m	11	A+	M72	510 g	76 mm*	81.6 mm
58 mm	2.4	46.5 mm	0.70 m	11	A+	M72	520 g	76 mm*	81.6 mm
85 mm	2.4	46.5 mm	0.85 m	11	A+	M72	530 g	76 mm*	81.6 mm

*PL-Mount: 68 mm

Key Features

- Vintage-style look and flares
- Amber Coating (A+)
- Full Frame coverage
- Consistent in size, weight and scale positions
- Light-weight mini cine primes
- EF-Mounts, but user-changeable with included PL-Mount Kits for each focal length
- PL-Mount Kits include rear cap and spare screws



ISCORAMA 54 CU-1.5x

Stock Code	Product Details
1101111	ISCORAMA 54 CU-1.5x Including: ISCORAMA 54 Support Bracket 1/4 ISCORAMA 54 Adapter M77/M72 SLIM

Accessories ISCORAMA 54 CU-1.5x

Stock Code	Product Details
1103882	ISCORAMA 54 Support Bracket 1/4 + 3/8
1104957	ISCORAMA 54 Spacer M77/M77*
1101468	ISCORAMA 54 Adapter M77/M72*
1104266	ISCORAMA 54 Adapter M77/M67*
1104267	ISCORAMA 54 Adapter M77/M62*
1104268	ISCORAMA 54 Adapter M77/M60*
1104269	ISCORAMA 54 Adapter M77/M58*
1104270	ISCORAMA 54 Adapter M77/M55*
1104271	ISCORAMA 54 Adapter M77/M52*
1104771	ISCORAMA 54 M77 Adapter Set 52-77 mm, 8 pcs

*Also incl. in Adapter Set 52-77 mm, 8 pcs



ISCO SETS

Check our ISCO webpage for further info on our cost-effective ISCO Sets.

ISCOsphericals A+ EF

Stock Code	Product Details
1101337	ISCOspherical 2.4/43 A+ EF
1101338	ISCOspherical 2.4/58 A+ EF
1101339	ISCOspherical 2.4/85 A+ EF

Accessories ISCOsphericals A+ EF

Stock Code	Product Details
1105873	ISCOspherical 43 mm PL-Mount Kit
1105874	ISCOspherical 58 mm PL-Mount Kit
1105875	ISCOspherical 85 mm PL-Mount Kit
1107281	5x Torx 6 (M2x4) Spare Head Screws (incl. in PL-Mount Kits)
1104521	ISCOspherical Focus Lock



ISCO SETS

Check our ISCO webpage for further info on our cost-effective ISCO Sets.



A Schneider-Kreuznach Brand.

Headquarters - Germany

Jos. Schneider Optische Werke GmbH
Ringstraße 132
55543 Bad Kreuznach

+49 (0) 671 601 551
cine@schneiderkreuznach.com
www.schneiderkreuznach.com

North America

East Coast: +1 800 645 7239
West Coast: +1 800 228 1254
info@schneideroptics.com

Asia
+65 9488 0062
cheangv@schneiderkreuznach.com

Jos. Schneider Optische Werke GmbH is certified ISO 9001.
We accept no responsibility for any errors and reserve the right of modification without further notice.