

## ISCO2all

Make your choice.

#anamorphic  
#spherical



A Schneider-Kreuznach Brand.

1 ISCORAMA 54 CU-1.5x  
1 ISCOspherical A+ EF  
of your choice!

## Set Options

	Stock Code	Product Details
1	1106983	ISCO2all 43 A+ EF
2	1106984	ISCO2all 58 A+ EF
3	1106985	ISCO2all 85 A+ EF

## ISCO2all includes

- 1 ISCORAMA 54 CU-1.5x Anamorphic Adapter
  - ISCORAMA 54 Support Bracket 1/4 (mounted)
  - ISCORAMA 54 Adapter M77/M72 SLIM (mounted)
- 1 ISCOspherical A+ EF of your choice:
  - ISCOspherical 2.4/43 A+ EF or
  - ISCOspherical 2.4/58 A+ EF or
  - ISCOspherical 2.4/85 A+ EF



## ISCO MIX+MATCH

Create your own Set: Visit our webpage for further ISCO items and single product IDs.

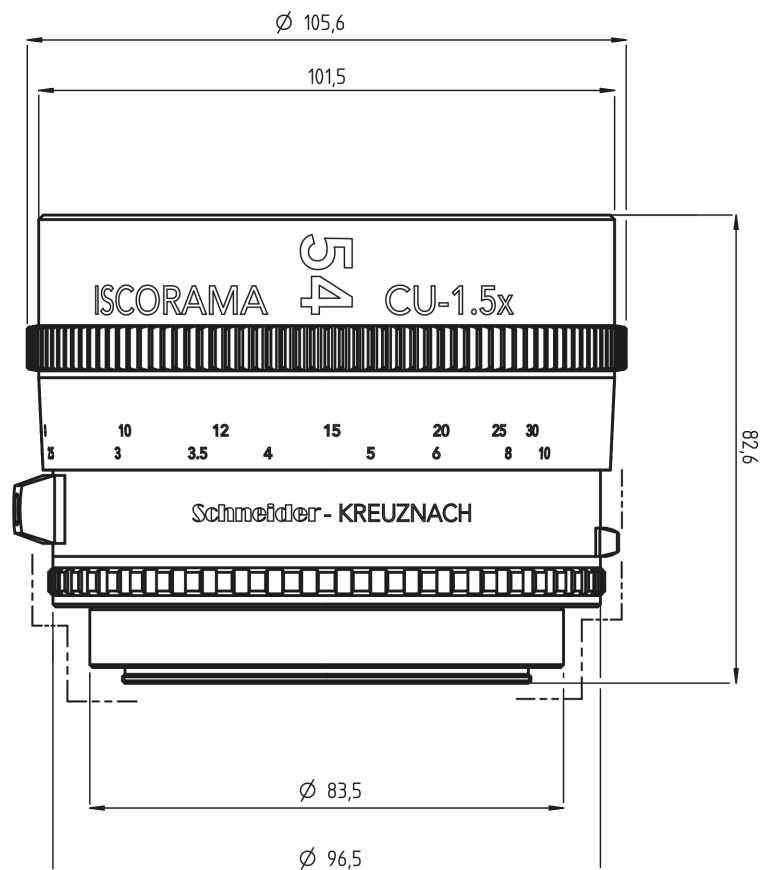


## Technical Specs

Factor	Technical Specification
Squeeze Factor	1.5 x
Minimum Focus Distance	1.4 m
Coating	Schneider Multi Coating (MC)
Focus	Single focus system (ISCO patent), 308° focus throw
Rear Thread	M77, Adapter M77 to M72 (2x)
Front Filter Thread	M95
Support	1/4"-20 UNC support bracket
Dimensions	Width: 105.6 mm, Length: 82.6 mm
Weight	1.100 g

## Key Features

- Single focus (ISCO patent)
- Close focus 1.4 m
- Stepless horizon adjustment
- Standard 0.8 mm gear on focus ring
- 1/4"-20 UNC bracket for rod support

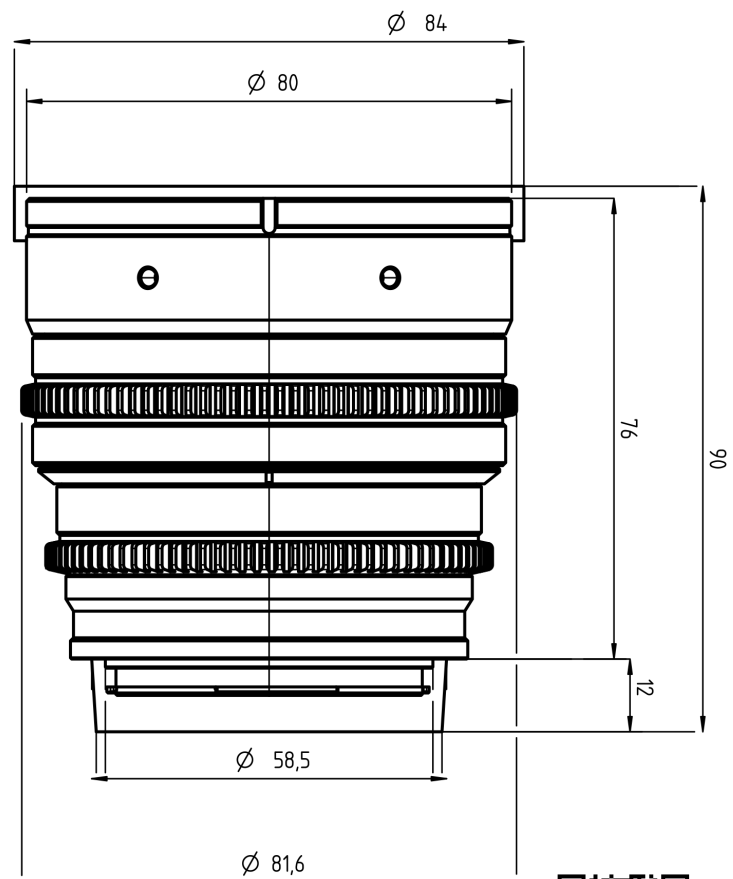


## Technical Specs

focal length	T Stop	image circle	min.focus distance	no. iris blades	coating	filter thread	weight	length	width
43 mm	2.4	46.5 mm	0.58 m	11	A+	M72	510 g	76 mm	81.6 mm
58 mm	2.4	46.5 mm	0.70 m	11	A+	M72	520 g	76 mm	81.6 mm
85 mm	2.4	46.5 mm	0.85 m	11	A+	M72	530 g	76 mm	81.6 mm

## Key Features

- Vintage-style look and flares
- Amber Coating (A+)
- Full Frame coverage
- Consistent in size, weight and scale positions
- Light-weight mini cine primes
- EF-Mounts, but user-changeable
- PL-Mount Kits available as additional accessories (including rear cap and spare screws)



Additional PL-Mount Kits available! Check all our ISCO products online.



A Schneider-Kreuznach Brand.

**Headquarters - Germany**

Jos. Schneider Optische Werke GmbH  
Ringstraße 132  
55543 Bad Kreuznach

+49 (0) 671 601 551  
[cine@schneiderkreuznach.com](mailto:cine@schneiderkreuznach.com)  
[www.schneiderkreuznach.com](http://www.schneiderkreuznach.com)

**North America**

East Coast: +1 800 645 7239  
West Coast: +1 800 228 1254  
[info@schneideroptics.com](mailto:info@schneideroptics.com)

**Asia**

+65 9488 0062  
[cheangv@schneiderkreuznach.com](mailto:cheangv@schneiderkreuznach.com)

Jos. Schneider Optische Werke GmbH is certified ISO 9001.  
We accept no responsibility for any errors and reserve the right of modification without further notice.